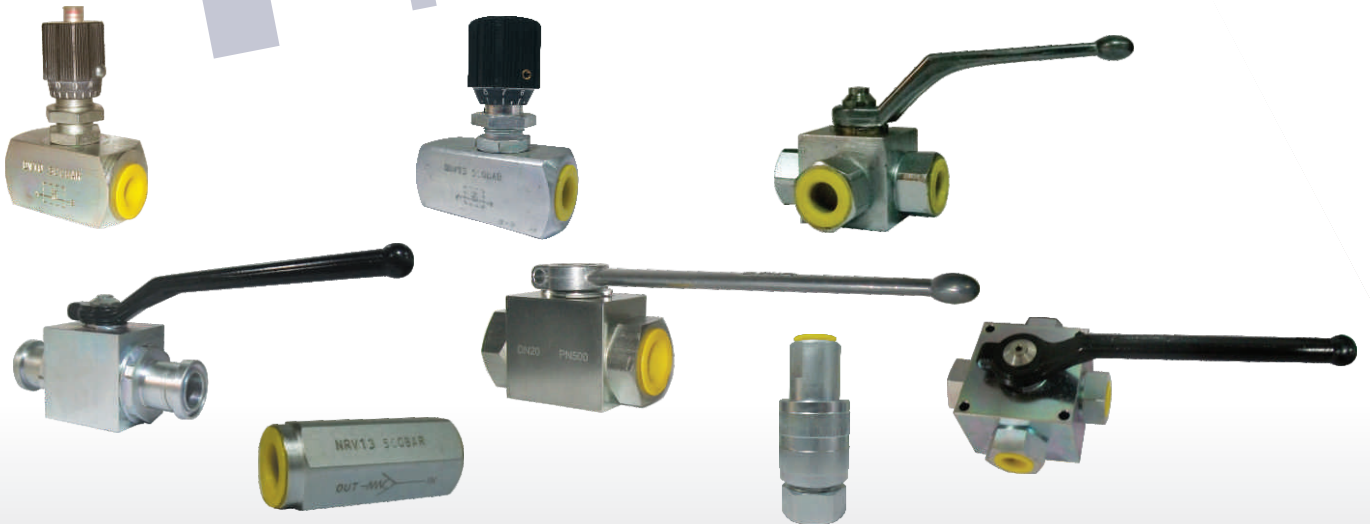




VALUE FOR QUALITY

ASIAN HYDRAULIC

www.asianhydraulic.com



INTRODUCTION

Asian Hydraulic - located at Andheri, is engaged in manufacturing of high pressure valves since the year 2005. With philosophy of continuous innovation and improvement in technology. We maintain a technological edge to achieve optimized valve design and compete customer satisfaction.

Vision

We at Asian has vision to be a single point solution for our customers.

Mission

We are gradually developing our product range with latest technology and improving quality control system.



| | |
|--|-------------------|
| High Pressure Ball Valves - KHB2 | |
| High Pressure Ball Valves - KHB2 (Standard)..... | 4 |
| High Pressure Ball Valves - KHB2 (Heavy & Light Series)..... | 5 |
| | |
| High Pressure Ball Valves - KH3 | |
| High Pressure Ball Valves - KH3 (Standard)..... | 6 |
| High Pressure Ball Valves - KH3 (Heavy & Light Series)..... | 7 |
| | |
| High Pressure Ball Valves - KH4..... | 8 |
| | |
| High Pressure Ball Valves With Split Flange KHB2SF..... | 9 |
| | |
| Manifold Block Mounted High Pressure Ball Valves - KHP2..... | 10 |
| | |
| Manifold Block Mounted High Pressure Ball Valves - KHP3..... | 11 |
| | |
| Flow Control Valves with Check Valves - DRV..... | 12 |
| | |
| Manifold Mounted Flow Control Valves with Check Valve - DRVP..... | 13 |
| | |
| Flow Control Valves without check Valves - DV..... | 14 |
| | |
| Manifold Mounted Flow Control Valves w/o check Valve - DVP..... | 15 |
| | |
| Needle Valves - NV..... | 16 |
| | |
| Shut off Valve - Sub-plate mounting..... | 17 |
| | |
| Inline High Pressure Check Valves - CV..... | 18 |
| | |
| Quick Disconnect Coupling..... | 19 |
| | |
| Tube Fittings..... | 20, 21, 22 |

pdfElement

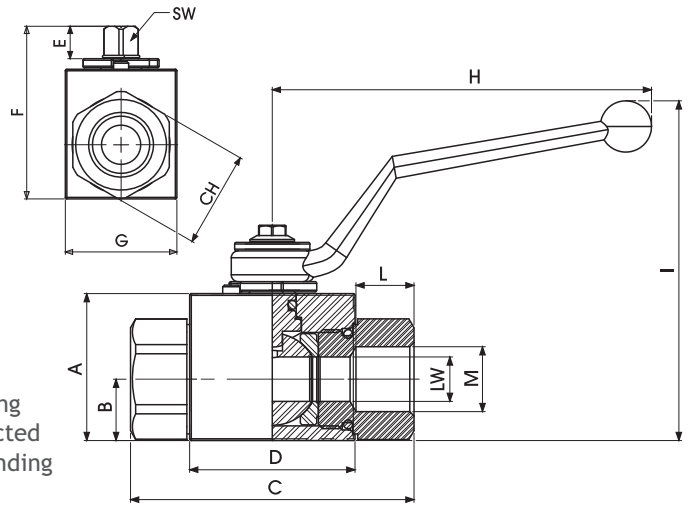
High Pressure Ball Valves - KHB2

2-Way Carbon Steel



PN up to 500 bar
DN up to 50

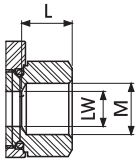
Standard



Specifications

- Type: ball valve KHB 2way
- Body: block
- Material : 1,0737
- Ball seats: from DN4 up to DN25
- O-Rings: NBR, FKM, EPDM, MVQ
- Operating pressure: 500 Bar depending on valve size and seal materials selected
- Temp. range: -10°C to +100°C depending on seal material selected

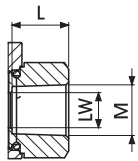
KHB2 DIN ISO 228 BSP Standard



DIN ISO 228

| TYPE | PN | DN | A | B | C | D | E | F | G | H | I | L | M | CH | SW | LW | WEIGHT Kg |
|-----------------|---------|-----|-----|----|-----|-----|----|-------|-----|-----|-----|------|---------|----|----|----|-----------|
| KHB2 G 1/8" | 500 Bar | 4 | 35 | 14 | 71 | 42 | 11 | 49 | 30 | 110 | 91 | 11 | G 1/8 | 24 | 9 | 4 | 0,512 |
| KHB2 G 1/4" | 500 Bar | 6 | 35 | 14 | 71 | 42 | 11 | 49 | 30 | 110 | 91 | 15,5 | G 1/4 | 24 | 9 | 6 | 0,497 |
| KHB2 G 3/8" | 500 Bar | 10 | 40 | 17 | 73 | 44 | 11 | 54,25 | 35 | 110 | 96 | 15,5 | G 3/8 | 30 | 9 | 10 | 0,652 |
| KHB2 G 1/2" | 500 Bar | 13 | 43 | 18 | 83 | 48 | 11 | 57 | 37 | 110 | 99 | 17 | G 1/2 | 32 | 9 | 13 | 0,77 |
| KHB2 G 3/4" | 400 Bar | 20 | 55 | 23 | 95 | 62 | 14 | 73,5 | 45 | 180 | 106 | 21 | G 3/4 | 41 | 14 | 20 | 1,46 |
| KHB2 G 1" | 350 Bar | 25 | 65 | 29 | 112 | 66 | 14 | 83,5 | 55 | 180 | 116 | 24 | G 1" | 50 | 14 | 25 | 2,23 |
| KHB2 G 1" 1/4 R | 350 Bar | 25 | 65 | 29 | 120 | 66 | 14 | 83,5 | 55 | 180 | 116 | 24 | G 1"1/4 | 55 | 14 | 25 | 2,299 |
| KHB2 G 1" 1/2 R | 350 Bar | 25 | 65 | 29 | 124 | 66 | 14 | 83,5 | 55 | 180 | 116 | 24 | G 1"1/2 | 60 | 14 | 25 | 2,413 |
| KHB2 G 1" 1/4 | 350 Bar | 85 | 85 | 37 | 110 | 83 | 17 | 103 | 75 | 305 | 145 | 13 | G 1"1/4 | 65 | 17 | 32 | 4,140 |
| KHB2 G 1" 1/2 | 350 Bar | 96 | 95 | 42 | 130 | 91 | 17 | 114 | 85 | 305 | 155 | 19 | G 1"1/2 | 70 | 17 | 38 | 5,540 |
| KHB2 G 2" | 350 Bar | 112 | 113 | 52 | 140 | 100 | 17 | 131 | 110 | 305 | 173 | 19 | G 2" | 85 | 17 | 50 | 8,580 |

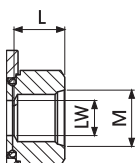
KHB2 ANSI/ASME B1.20.1 NPT Standard



ANSI/ASME B1.20.1

| TYPE | PN | DN | A | B | C | D | E | F | G | H | I | L | M | CH | SW | LW | WEIGHT Kg |
|-----------------|---------|-----|-----|----|-----|-----|----|-------|-----|-----|-----|----|---------|----|----|----|-----------|
| KHB2 N 1/8" | 500 Bar | 4 | 35 | 14 | 71 | 42 | 11 | 49 | 30 | 110 | 91 | 11 | N 1/8 | 24 | 9 | 4 | 0,512 |
| KHB2 N 1/4" | 500 Bar | 6 | 35 | 14 | 71 | 42 | 11 | 49 | 30 | 110 | 91 | 17 | N 1/4 | 24 | 9 | 6 | 0,5 |
| KHB2 N 3/8" | 500 Bar | 10 | 40 | 17 | 73 | 44 | 11 | 54,25 | 35 | 110 | 96 | 17 | N 3/8 | 30 | 9 | 10 | 0,655 |
| KHB2 N 1/2" | 500 Bar | 13 | 43 | 18 | 83 | 48 | 11 | 57 | 37 | 110 | 99 | 21 | N 1/2 | 32 | 9 | 13 | 0,771 |
| KHB2 N 3/4" | 400 Bar | 20 | 55 | 23 | 95 | 62 | 14 | 73,5 | 45 | 180 | 106 | 21 | N 3/4 | 41 | 14 | 20 | 1,478 |
| KHB2 N 1" | 350 Bar | 25 | 65 | 29 | 112 | 66 | 14 | 83,5 | 55 | 180 | 116 | 24 | N 1" | 50 | 14 | 25 | 2,279 |
| KHB2 N 1" 1/4 R | 350 Bar | 25 | 65 | 29 | 120 | 66 | 14 | 83,5 | 55 | 180 | 116 | 24 | N 1"1/4 | 55 | 14 | 25 | 2,351 |
| KHB2 N 1" 1/2 R | 350 Bar | 25 | 65 | 29 | 124 | 66 | 14 | 83,5 | 55 | 180 | 116 | 24 | N 1"1/2 | 60 | 14 | 25 | 2,482 |
| KHB2 N 1" 1/4 | 350 Bar | 85 | 85 | 37 | 110 | 83 | 17 | 103 | 75 | 305 | 145 | 13 | G 1"1/4 | 65 | 17 | 32 | 4,140 |
| KHB2 N 1" 1/2 | 350 Bar | 96 | 95 | 42 | 130 | 91 | 17 | 114 | 85 | 305 | 155 | 19 | G 1"1/2 | 70 | 17 | 38 | 5,540 |
| KHB2 N 2" | 350 Bar | 112 | 113 | 52 | 140 | 100 | 17 | 131 | 110 | 305 | 173 | 19 | G 2" | 85 | 17 | 50 | 8,580 |

KHB2 SAE J1926-1 Standard

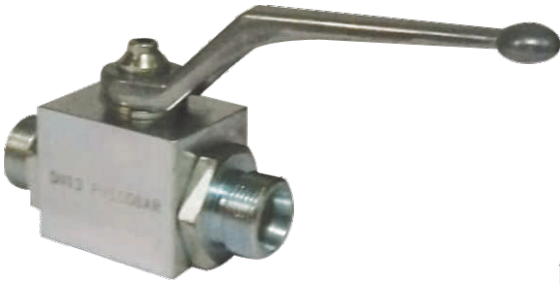


SAE J1926-1

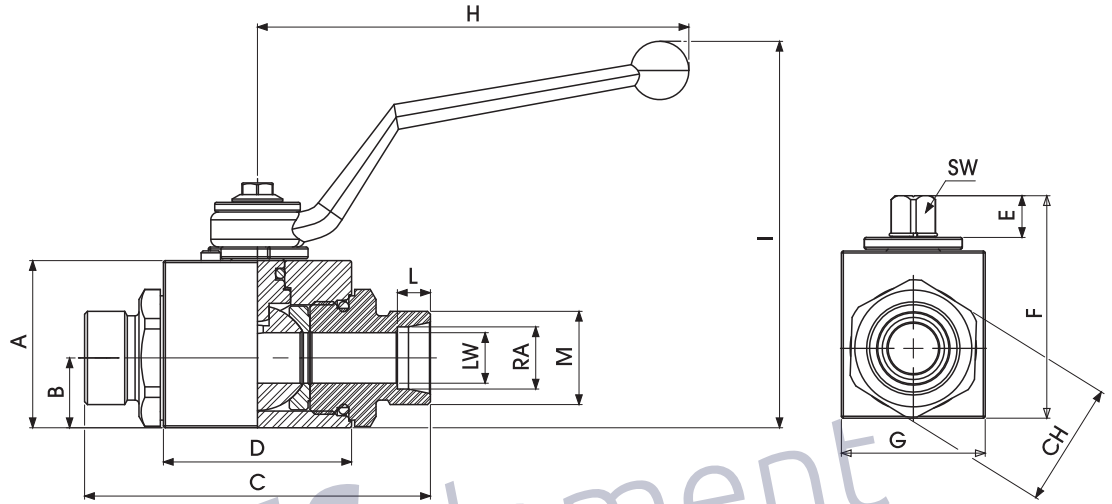
| TYPE | PN | DN | A | B | C | D | E | F | G | H | I | L | M | CH | SW | LW | WEIGHT Kg |
|-----------------|---------|-----|-----|----|-----|-----|----|-------|-----|-----|-----|------|-----------|----|----|----|-----------|
| KHB2 SAE4 | 500 Bar | 6 | 35 | 14 | 71 | 42 | 11 | 49 | 30 | 110 | 91 | 15,5 | 7/16 UNF | 24 | 9 | 6 | 0,504 |
| KHB2 SAE6 | 500 Bar | 10 | 40 | 17 | 73 | 44 | 11 | 54,25 | 35 | 110 | 96 | 16 | 9/16 UNF | 30 | 9 | 10 | 0,663 |
| KHB2 SAE8 | 500 Bar | 13 | 43 | 18 | 83 | 48 | 11 | 57 | 37 | 110 | 99 | 17,5 | 3/4 UNF | 32 | 9 | 13 | 0,779 |
| KHB2 SAE12 | 400 Bar | 20 | 55 | 23 | 95 | 62 | 14 | 73,5 | 45 | 180 | 106 | 23 | 1"1/16 UN | 41 | 14 | 20 | 1,441 |
| KHB2 SAE16 | 350 Bar | 25 | 65 | 29 | 112 | 66 | 14 | 83,5 | 55 | 180 | 116 | 23 | 1"5/16 UN | 50 | 14 | 25 | 2,335 |
| KHB2 SAE20R | 350 Bar | 25 | 65 | 29 | 120 | 66 | 14 | 83,5 | 55 | 180 | 116 | 23 | 1"5/8 UN | 55 | 14 | 25 | 2,307 |
| KHB2 SAE24R | 350 Bar | 25 | 65 | 29 | 124 | 66 | 14 | 83,5 | 55 | 180 | 116 | 23 | 1"7/8 UN | 60 | 14 | 25 | 2,399 |
| KHB2 SAE 1" 1/4 | 350 Bar | 85 | 85 | 37 | 110 | 83 | 17 | 103 | 75 | 305 | 145 | 13 | G 1"1/4 | 65 | 17 | 32 | 4,140 |
| KHB2 SAE 1" 1/2 | 350 Bar | 96 | 95 | 42 | 130 | 91 | 17 | 114 | 85 | 305 | 155 | 19 | G 1"1/2 | 70 | 17 | 38 | 5,540 |
| KHB2 SAE 2" | 350 Bar | 112 | 113 | 52 | 140 | 100 | 17 | 131 | 110 | 305 | 173 | 19 | G 2" | 85 | 17 | 50 | 8,580 |

2-Way Carbon Steel

Light & Heavy Series

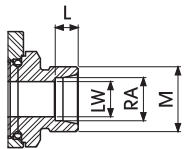


PN up to 500 bar
DN up to 50



KHB2 DIN 2353 LIGHT SERIES

Standard

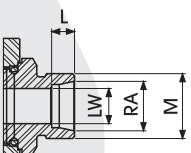


DIN 2353 HEAVY SERIES

| Type | PN | DN | A | B | C | D | E | F | G | H | I | L | M | CH | LW | SW | RA | WEIGHT Kg |
|----------|---------|----|----|----|-----|----|----|----|----|-----|-----|------|--------|----|----|----|----|-----------|
| KHB2 6L | 500 Bar | 6 | 35 | 14 | 76 | 42 | 11 | 49 | 30 | 110 | 91 | 7 | 12X1.5 | 24 | 6 | 9 | 6 | 0,475 |
| KHB2 8L | 500 Bar | 6 | 35 | 14 | 76 | 42 | 11 | 49 | 30 | 110 | 91 | 7 | 14X1.5 | 24 | 6 | 9 | 8 | 0,477 |
| KHB2 10L | 500 Bar | 10 | 40 | 17 | 76 | 44 | 11 | 54 | 35 | 110 | 96 | 7 | 16X1.5 | 30 | 10 | 9 | 10 | 0,597 |
| KHB2 12L | 500 Bar | 10 | 40 | 17 | 79 | 44 | 11 | 54 | 35 | 110 | 96 | 7 | 18X1.5 | 30 | 10 | 9 | 12 | 0,616 |
| KHB2 15L | 500 Bar | 13 | 43 | 18 | 87 | 48 | 11 | 57 | 37 | 110 | 99 | 7 | 22X1.5 | 32 | 13 | 9 | 15 | 0,731 |
| KHB2 18L | 500 Bar | 13 | 43 | 18 | 87 | 48 | 11 | 57 | 37 | 110 | 99 | 7,5 | 26X1.5 | 32 | 13 | 9 | 18 | 0,748 |
| KHB2 22L | 400 Bar | 20 | 55 | 23 | 110 | 62 | 14 | 73 | 45 | 180 | 106 | 7,5 | 30X2 | 41 | 20 | 14 | 22 | 1,463 |
| KHB2 28L | 350 Bar | 25 | 65 | 29 | 117 | 66 | 14 | 83 | 55 | 180 | 116 | 7,5 | 36X2 | 50 | 25 | 14 | 28 | 2,131 |
| KHB2 35L | 350 Bar | 25 | 65 | 29 | 119 | 66 | 14 | 83 | 55 | 180 | 116 | 10,5 | 45X2 | 50 | 25 | 14 | 35 | 2,163 |
| KHB2 42L | 350 Bar | 25 | 65 | 29 | 119 | 66 | 14 | 83 | 55 | 180 | 116 | 11 | 52X2 | 55 | 25 | 14 | 42 | 2,256 |

KHB2 DIN 2353 HEAVY SERIES

Standard

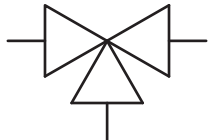


DIN 2353 LIGHT SERIES

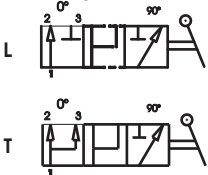
| Type | PN | DN | A | B | C | D | E | F | G | H | I | L | M | CH | LW | SW | RA | WEIGHT Kg |
|----------|---------|----|----|----|-----|----|----|----|----|-----|-----|------|--------|----|----|----|----|-----------|
| KHB2 8S | 500 Bar | 4 | 35 | 14 | 76 | 42 | 11 | 49 | 30 | 110 | 91 | 7 | 16X1,5 | 24 | 4 | 9 | 8 | 0,501 |
| KHB2 10S | 500 Bar | 6 | 35 | 14 | 76 | 42 | 11 | 49 | 30 | 110 | 91 | 7,5 | 18X1,5 | 24 | 6 | 9 | 10 | 0,501 |
| KHB2 12S | 500 Bar | 10 | 40 | 17 | 76 | 44 | 11 | 54 | 35 | 110 | 96 | 7,5 | 20X1,5 | 30 | 10 | 9 | 12 | 0,599 |
| KHB2 14S | 500 Bar | 10 | 40 | 17 | 82 | 44 | 11 | 54 | 35 | 110 | 96 | 8 | 22X1,5 | 30 | 10 | 9 | 14 | 0,629 |
| KHB2 16S | 500 Bar | 13 | 43 | 18 | 89 | 48 | 11 | 57 | 37 | 110 | 99 | 8,5 | 24X1,5 | 32 | 13 | 9 | 16 | 0,67 |
| KHB2 20S | 500 Bar | 13 | 43 | 18 | 93 | 48 | 11 | 57 | 37 | 110 | 99 | 10,5 | 30X2 | 32 | 13 | 9 | 20 | 0,786 |
| KHB2 25S | 400 Bar | 20 | 55 | 23 | 111 | 62 | 14 | 73 | 45 | 180 | 106 | 12 | 36X2 | 41 | 20 | 14 | 25 | 1,485 |
| KHB2 30S | 350 Bar | 25 | 65 | 29 | 121 | 66 | 14 | 83 | 55 | 180 | 116 | 13 | 42X2 | 50 | 25 | 14 | 30 | 2,145 |
| KHB2 38S | 350 Bar | 25 | 65 | 29 | 131 | 66 | 14 | 83 | 55 | 180 | 116 | 16 | 52X2 | 55 | 25 | 14 | 38 | 2,373 |

3-Way Carbon Steel

Standard

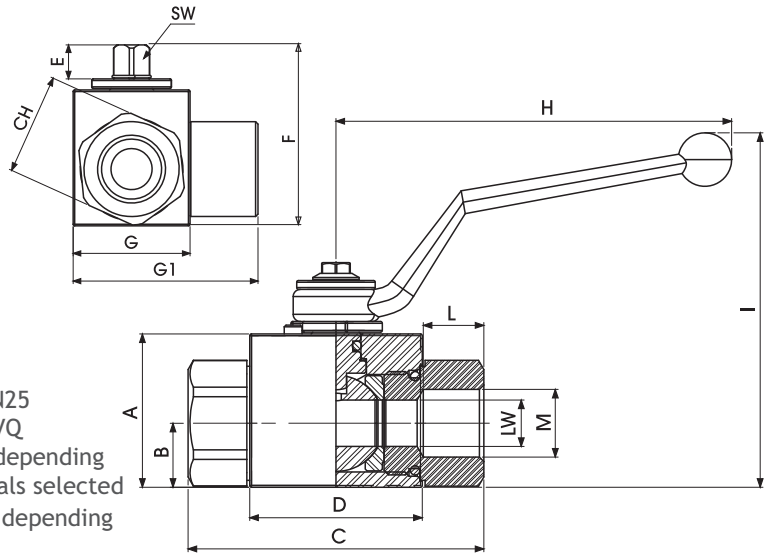


PN up to 500 bar
DN up to 25



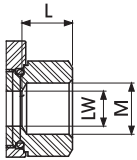
Specifications

- Type: ball valve KH3 3way
- Body: block
- Material : 1,0737
- Ball seats: from DN4 up to DN25
- O-Rings: NBR, FKM, EPDM, MVQ
- Operating pressure: 400 Bar depending on valve size and seal materials selected
- Temp. range: 10°C to +100°C depending on seal material selected



KH3 DIN ISO 228 BSP

Standard

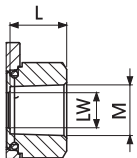


DIN ISO 228

| TYPE | PN | DN | A | B | C | D | E | F | G | G1 | H | I | L | M | CH | SW | LW | WEIGHT Kg |
|----------------|---------|----|----|----|-----|----|----|----|----|----|-----|-----|------|----------|----|----|----|-----------|
| KH3 G 1/8 | 400 Bar | 4 | 35 | 14 | 71 | 42 | 11 | 49 | 30 | 48 | 110 | 91 | 11 | G 1/8 | 24 | 9 | 4 | 0,558 |
| KH3 G 1/4 | 400 Bar | 6 | 35 | 14 | 71 | 42 | 11 | 49 | 30 | 48 | 110 | 91 | 15,5 | G 1/4 | 24 | 9 | 6 | 0,536 |
| KH3 G 3/8 | 400 Bar | 10 | 40 | 17 | 73 | 44 | 11 | 54 | 35 | 54 | 110 | 96 | 15,5 | G 3/8 | 30 | 9 | 10 | 0,695 |
| KH3 G 1/2 | 350 Bar | 13 | 43 | 18 | 83 | 48 | 11 | 57 | 37 | 58 | 110 | 99 | 17 | G 1/2 | 32 | 9 | 13 | 0,825 |
| KH3 G 3/4 | 350 Bar | 20 | 55 | 23 | 95 | 62 | 14 | 73 | 45 | 75 | 180 | 106 | 21 | G 3/4 | 41 | 14 | 20 | 1,583 |
| KH3 G 1" | 350 Bar | 25 | 65 | 29 | 112 | 66 | 14 | 83 | 55 | 87 | 180 | 116 | 24 | G 1" | 50 | 14 | 25 | 2,421 |
| KH3 G 1" 1/4 R | 350 Bar | 25 | 65 | 29 | 120 | 66 | 14 | 83 | 55 | 87 | 180 | 116 | 24 | G 1" 1/4 | 55 | 14 | 25 | 2,601 |
| KH3 G 1" 1/2 R | 350 Bar | 25 | 65 | 29 | 124 | 66 | 14 | 83 | 55 | 87 | 180 | 116 | 24 | G 1" 1/2 | 60 | 14 | 25 | 2,756 |

KH3 ANSI/ASME B1.20.1 NPT

Standard

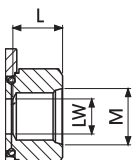


ANSI/ASME B1.20.1

| TYPE | PN | DN | A | B | C | D | E | F | G | G1 | H | I | L | M | CH | SW | LW | WEIGHT Kg |
|----------------|---------|----|----|----|-----|----|----|----|----|----|-----|-----|----|----------|----|----|----|-----------|
| KH3 N 1/8 | 400 Bar | 4 | 35 | 14 | 71 | 42 | 11 | 49 | 30 | 48 | 110 | 91 | 11 | N 1/8 | 24 | 9 | 4 | 0,558 |
| KH3 N 1/4 | 400 Bar | 6 | 35 | 14 | 71 | 42 | 11 | 49 | 30 | 48 | 110 | 91 | 17 | N 1/4 | 24 | 9 | 6 | 0,536 |
| KH3 N 3/8 | 400 Bar | 10 | 40 | 17 | 73 | 44 | 11 | 54 | 35 | 54 | 110 | 96 | 17 | N 3/8 | 30 | 9 | 10 | 0,695 |
| KH3 N 1/2 | 350 Bar | 13 | 43 | 18 | 83 | 48 | 11 | 57 | 37 | 58 | 110 | 99 | 21 | N 1/2 | 32 | 9 | 13 | 0,825 |
| KH3 N 3/4 | 350 Bar | 20 | 55 | 23 | 95 | 62 | 14 | 73 | 45 | 75 | 180 | 106 | 21 | N 3/4 | 41 | 14 | 20 | 1,583 |
| KH3 N 1" | 350 Bar | 25 | 65 | 29 | 112 | 66 | 14 | 83 | 55 | 87 | 180 | 116 | 24 | N 1" | 50 | 14 | 25 | 2,421 |
| KH3 N 1" 1/4 R | 350 Bar | 25 | 65 | 29 | 120 | 66 | 14 | 83 | 55 | 87 | 180 | 116 | 24 | N 1" 1/4 | 55 | 14 | 25 | 2,601 |
| KH3 G 1" 1/2 R | 350 Bar | 25 | 65 | 29 | 124 | 66 | 14 | 83 | 55 | 87 | 180 | 116 | 24 | N 1" 1/2 | 60 | 14 | 25 | 2,756 |

KH3 SAE J1926-1

Standard

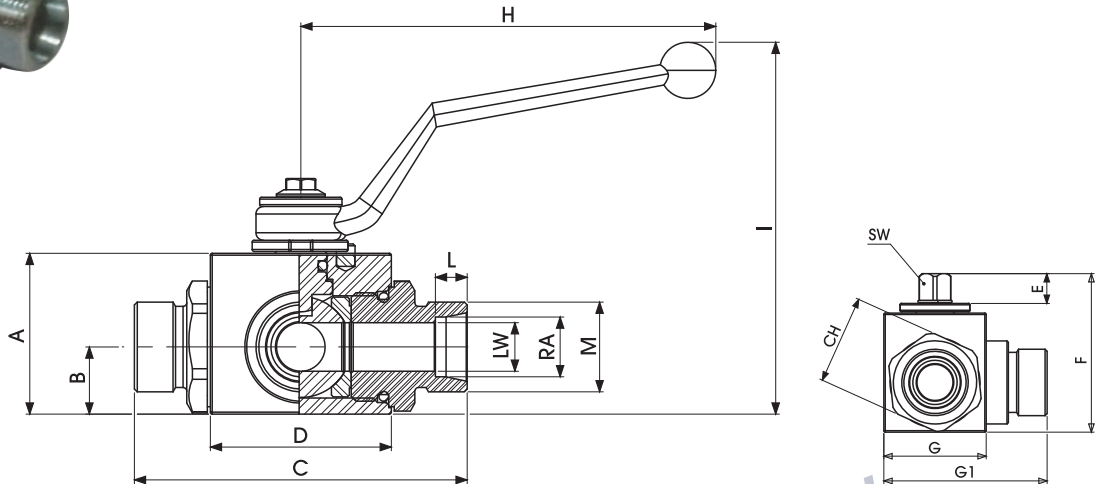
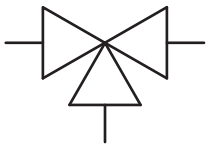
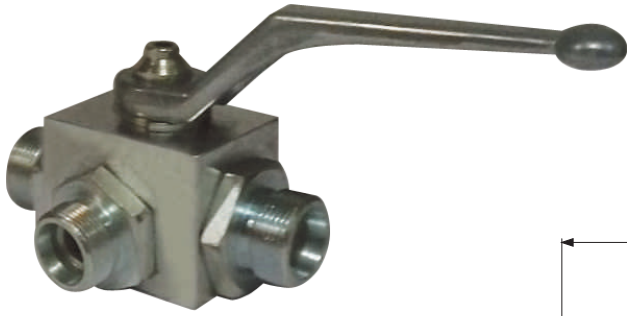


SAE J1926-1

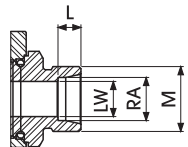
| TYPE | PN | DN | A | B | C | D | E | F | G | G1 | H | I | L | M | CH | SW | LW | WEIGHT Kg |
|------------|---------|----|----|----|-----|----|----|----|----|----|-----|-----|------|------------|----|----|----|-----------|
| KH3 SAE4 | 400 Bar | 6 | 35 | 14 | 71 | 42 | 11 | 49 | 30 | 48 | 110 | 91 | 15,5 | 7/16 UNF | 24 | 9 | 6 | 0,536 |
| KH3 SAE6 | 400 Bar | 10 | 40 | 17 | 73 | 44 | 11 | 54 | 35 | 54 | 110 | 96 | 16 | 9/16 UNF | 30 | 9 | 10 | 0,695 |
| KH3 SAE8 | 350 Bar | 13 | 43 | 18 | 83 | 48 | 11 | 57 | 37 | 58 | 110 | 99 | 17,5 | 3/4 UNF | 32 | 9 | 13 | 0,825 |
| KH3 SAE12 | 350 Bar | 20 | 55 | 23 | 95 | 62 | 14 | 73 | 45 | 75 | 180 | 106 | 23 | 1" 1/16 UN | 41 | 14 | 20 | 1,583 |
| KH3 SAE16 | 350 Bar | 25 | 65 | 29 | 112 | 66 | 14 | 83 | 55 | 87 | 180 | 116 | 23 | 1" 5/16 UN | 50 | 14 | 25 | 2,421 |
| KH3 SAE20R | 350 Bar | 25 | 65 | 29 | 120 | 66 | 14 | 83 | 55 | 87 | 180 | 116 | 23 | 1" 5/8 UN | 55 | 14 | 25 | 2,601 |
| KH3 SAE20R | 350 Bar | 25 | 65 | 29 | 124 | 66 | 14 | 83 | 55 | 87 | 180 | 116 | 23 | 1" 7/8 UN | 60 | 14 | 25 | 2,756 |

3-Way Carbon Steel

Light & Heavy Series



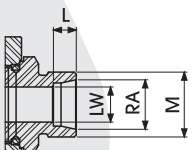
KH3 DIN 2353 LIGHT SERIES standard



DIN 2353 HEAVY SERIES

| Type | PN | DN | A | B | C | D | E | F | G | G1 | H | I | L | M | CH | LW | SW | RA | WEIGHT Kg |
|----------------|---------|----|----|----|-----|----|----|----|----|----|-----|-----|------|--------|----|----|----|----|-----------|
| Kh3 6L | 400 Bar | 6 | 35 | 14 | 76 | 42 | 11 | 49 | 30 | 48 | 110 | 91 | 7 | 12X1.5 | 24 | 6 | 9 | 6 | 0,53 |
| Kh3 8L | 400 Bar | 6 | 35 | 14 | 76 | 42 | 11 | 49 | 30 | 48 | 110 | 91 | 7 | 14X1.5 | 24 | 6 | 9 | 8 | 0,532 |
| Kh3 10L | 400 Bar | 10 | 40 | 17 | 76 | 44 | 11 | 54 | 35 | 54 | 110 | 96 | 7 | 16X1.5 | 30 | 10 | 9 | 10 | 0,633 |
| Kh3 12L | 400 Bar | 10 | 40 | 17 | 79 | 44 | 11 | 54 | 35 | 54 | 110 | 96 | 7 | 18X1.5 | 30 | 10 | 9 | 12 | 0,665 |
| Kh3 15L | 350 Bar | 13 | 43 | 18 | 87 | 48 | 11 | 57 | 37 | 59 | 110 | 99 | 7 | 22X1.5 | 32 | 13 | 9 | 15 | 0,722 |
| Kh3 18L | 350 Bar | 13 | 43 | 18 | 87 | 48 | 11 | 57 | 37 | 59 | 110 | 99 | 7,5 | 26X1.5 | 32 | 13 | 9 | 18 | 0,861 |
| Kh3 22L | 350 Bar | 20 | 55 | 23 | 110 | 62 | 14 | 73 | 45 | 75 | 180 | 106 | 7,5 | 30X2 | 41 | 20 | 14 | 22 | 1,639 |
| Kh3 28L | 350 Bar | 25 | 65 | 29 | 117 | 66 | 14 | 83 | 55 | 87 | 180 | 116 | 7,5 | 36X2 | 50 | 25 | 14 | 28 | 2,361 |
| Kh3 35L | 350 Bar | 25 | 65 | 29 | 119 | 66 | 14 | 83 | 55 | 87 | 180 | 116 | 10,5 | 45X2 | 50 | 25 | 14 | 35 | 2,361 |
| Kh3 42L | 350 Bar | 25 | 65 | 29 | 119 | 66 | 14 | 83 | 55 | 87 | 180 | 116 | 11 | 52X2 | 55 | 25 | 14 | 42 | 2,456 |

KH3 DIN 2353 HEAVY SERIES Standard



DIN 2353 LIGHT SERIES

| Type | PN | DN | A | B | C | D | E | F | G | G1 | H | I | L | M | CH | LW | SW | RA | WEIGHT Kg |
|----------------|---------|----|----|----|-----|----|----|----|----|----|-----|-----|------|--------|----|----|----|----|-----------|
| Kh3 8S | 400 Bar | 4 | 35 | 14 | 76 | 42 | 11 | 49 | 30 | 48 | 110 | 91 | 7 | 16X1,5 | 24 | 4 | 9 | 8 | 0,53 |
| Kh3 10S | 400 Bar | 6 | 35 | 14 | 76 | 42 | 11 | 49 | 30 | 48 | 110 | 91 | 7,5 | 18X1,5 | 24 | 6 | 9 | 10 | 0,532 |
| Kh3 12S | 400 Bar | 10 | 40 | 17 | 76 | 44 | 11 | 54 | 35 | 54 | 110 | 96 | 7,5 | 20X1,5 | 30 | 10 | 9 | 12 | 0,633 |
| Kh3 14S | 400 Bar | 10 | 40 | 17 | 82 | 44 | 11 | 54 | 35 | 54 | 110 | 96 | 8 | 22X1,5 | 30 | 10 | 9 | 14 | 0,665 |
| Kh3 16S | 350Bar | 13 | 43 | 18 | 89 | 48 | 11 | 57 | 37 | 59 | 110 | 99 | 8,5 | 24X1,5 | 32 | 13 | 9 | 16 | 0,722 |
| Kh3 20S | 350Bar | 13 | 43 | 18 | 93 | 48 | 11 | 57 | 37 | 59 | 110 | 99 | 10,5 | 30X2 | 32 | 13 | 9 | 20 | 0,861 |
| Kh3 25S | 350Bar | 20 | 55 | 23 | 111 | 62 | 14 | 73 | 45 | 75 | 180 | 106 | 12 | 36X2 | 41 | 20 | 14 | 25 | 1,639 |
| Kh3 30S | 350Bar | 25 | 65 | 29 | 121 | 66 | 14 | 83 | 55 | 87 | 180 | 116 | 13 | 42X2 | 50 | 25 | 14 | 30 | 2,361 |
| Kh3 38S | 350Bar | 25 | 65 | 29 | 131 | 66 | 14 | 83 | 55 | 87 | 180 | 116 | 16 | 52X2 | 55 | 25 | 14 | 38 | 2,655 |

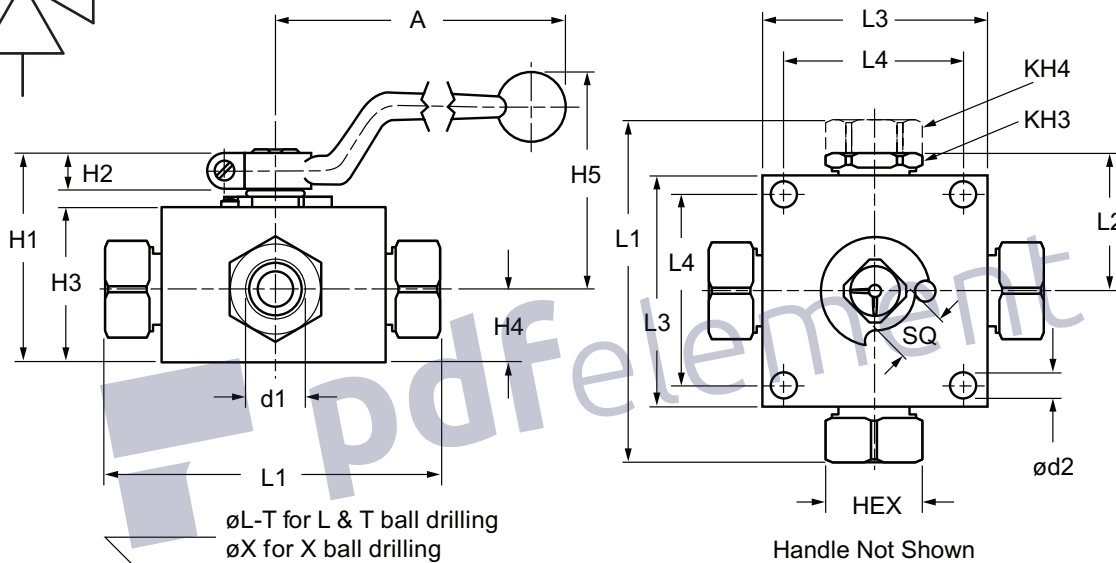
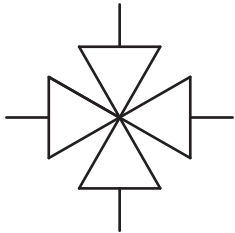
4-Way Carbon Steel

Ball Valve



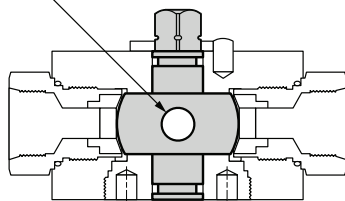
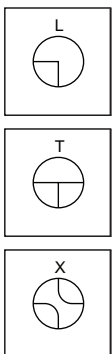
Specifications

- Type: ball valve KH4 4way
- Body: Square
- Material: 1,0570/1,0737
- Ball seats: from DN6 up to DN25
- O-Rings: NBR
- Operating pressure: 500 Bar depending on valve size and seal materials selected
- Temp. range: -10°C to +100°C depending on seal material selected



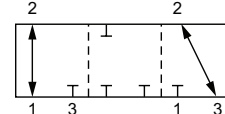
øL-T for L & T ball drilling
øX for X ball drilling

Ball Drilling

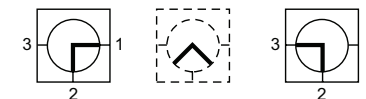


Function Diagrams

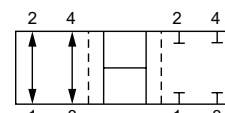
3-Way Ball Valve L-Bore



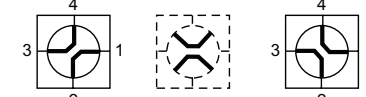
90° Switch



4-Way Ball Valve X-Bore



90° Switch



Notes: These are positive overlap valves. At approximately 45° rotation, flow will be blocked to all ports. For "T" function diagram, contact HYDAC.

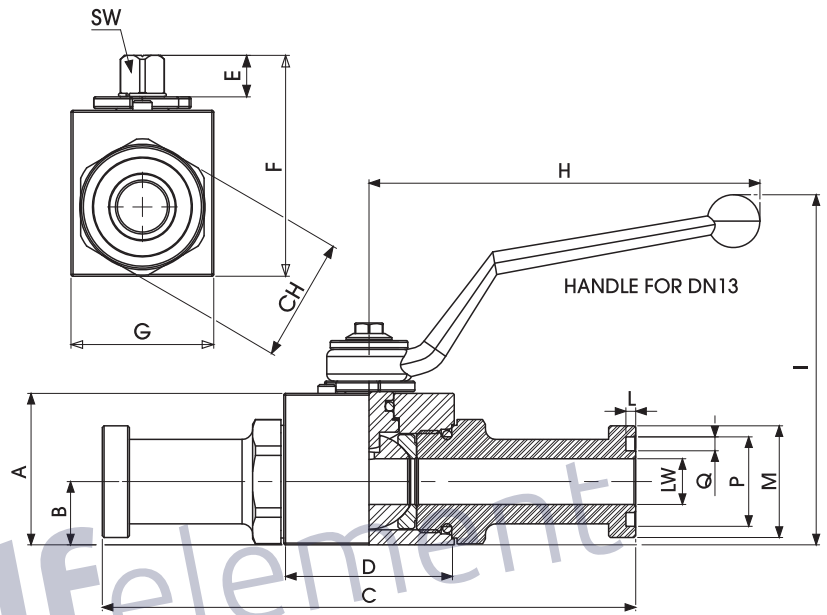
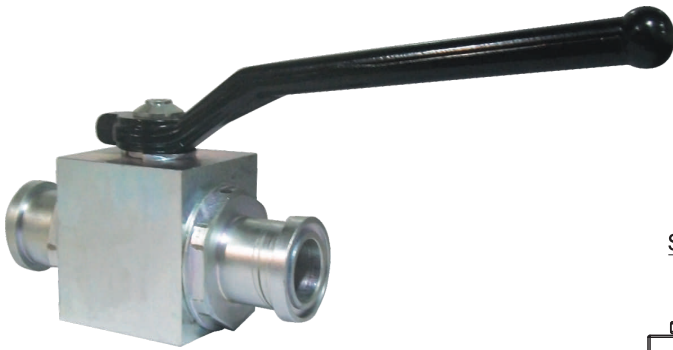
| Model | d1 | Max. Psi* | A | L1 | L2 | L3 | L4 | H1 | H2 | H3 | H4 | H5 | ød2 | SQ | HEX | øL-T | øX | Wt. |
|-------|----------|-----------------|-----|-----|----|-----|----|------|----|----|----|----|-----|----|-----|------|-----|-----|
| KH4 | 1/4" BSP | 7250 500 Bar | 163 | 100 | 42 | 70 | 55 | 58 | 13 | 40 | 22 | 63 | 6.5 | 12 | 24 | 5 | 4.5 | 1.6 |
| KH4 | 3/8" BSP | 7250 500 Bar | 183 | 115 | 46 | 80 | 65 | 69 | 14 | 50 | 27 | 75 | 6.5 | 14 | 30 | 9 | 6 | 2.4 |
| KH4 | 1/2" BSP | 5800 400 Bar | 183 | 135 | 56 | 100 | 80 | 79 | 14 | 60 | 31 | 88 | 9 | 14 | 36 | 12 | 10 | 4.3 |
| KH4 | 3/4" BSP | 4500 400 Bar | 227 | 144 | 57 | 100 | 85 | 93.5 | 15 | 73 | 36 | 97 | 9 | 17 | 46 | 18 | 14 | 6.0 |

High Pressure Ball Valves With Split Flange KHB2SF

Remove Watermark Now

2-Way
Carbon Steel

Standard



Specifications

- Type: ball valve KHB2SF 2way
- Body: block
- Material: 1,0737
- Ball seats: from DN13 up to DN25
- O-Rings: NBR, FKM, EPDM, MVQ
- Operating pressure: S3000 (PN210) S6000 (PN420) depending on valve size and seal materials selected
- Temp. range: -10°C to +100°C depending on seal material selected

KHB2SF SAE J518 S3000 / S6000

Standard

| TYPE | PN | DN | A | B | C | D | E | F | G | H | I | L | M | CH | P | Q | SW | LW | WEIGHT Kg |
|--------|---------|----|----|----|-----|----|----|----|----|-----|-----|------|------|----|-------|------|----|----|-----------|
| KHB2SF | 400 Bar | 13 | 43 | 18 | 151 | 48 | 11 | 57 | 37 | 110 | 99 | 2,79 | 30,2 | 32 | 25,4 | 3,94 | 9 | 13 | 0,96 |
| KHB2SF | 400 Bar | 20 | 55 | 23 | 162 | 62 | 14 | 73 | 45 | 180 | 106 | 2,79 | 38,1 | 41 | 31,75 | 3,94 | 14 | 20 | 0,717 |
| KHB2SF | 400 Bar | 25 | 65 | 29 | 178 | 66 | 14 | 83 | 55 | 180 | 116 | 2,79 | 44,4 | 50 | 39,2 | 3,94 | 14 | 25 | 2,597 |
| KHBA6 | 500 Bar | 13 | 43 | 18 | 151 | 48 | 11 | 57 | 37 | 110 | 9 | 2,79 | 31,6 | 32 | 25,4 | 3,94 | 9 | 13 | 0,956 |
| KHBA6 | 500 Bar | 20 | 55 | 23 | 174 | 62 | 14 | 73 | 45 | 180 | 106 | 2,79 | 41,3 | 41 | 31,75 | 3,94 | 14 | 20 | 1,792 |
| KHBA6 | 500 Bar | 25 | 65 | 29 | 198 | 66 | 14 | 83 | 55 | 180 | 116 | 2,79 | 47,8 | 50 | 39,2 | 3,94 | 14 | 25 | 2,759 |

KHB2SF SAE J518 S3000 / S6000

Standard

| TYPE | PN | DN | A | B | C | D | E | F | OG | H | I | L | M | N | CH | P | Q | SW | LW | WEIGHT Kg |
|-------|---------|----|-----|----|-----|----|------|-----|-----|-----|-----|------|-------|-----|----|-------|------|----|----|-----------|
| KHBA3 | 350 Bar | 32 | 93 | 46 | 190 | 75 | 13,5 | 111 | 98 | 300 | 120 | 2,79 | 50,8 | 88 | 60 | 44,45 | 3,94 | 17 | 32 | 5,429 |
| KHBA3 | 350 Bar | 40 | 107 | 53 | 230 | 85 | 13,5 | 125 | 113 | 300 | 134 | 2,79 | 60,26 | 102 | 75 | 53,67 | 3,94 | 17 | 40 | 8,265 |
| KHBA3 | 350 Bar | 50 | 114 | 57 | 232 | 98 | 13,5 | 132 | 123 | 300 | 141 | 2,79 | 71,4 | 118 | 85 | 63,25 | 3,94 | 17 | 50 | 9,865 |
| KHBA6 | 400 Bar | 32 | 93 | 46 | 223 | 75 | 13,5 | 111 | 98 | 300 | 120 | 2,79 | 54 | 88 | 60 | 44,45 | 3,94 | 17 | 32 | 5,828 |
| KHBA6 | 400 Bar | 40 | 107 | 53 | 281 | 85 | 13,5 | 125 | 113 | 300 | 134 | 2,79 | 63,46 | 102 | 75 | 53,67 | 3,94 | 17 | 40 | 8,251 |
| KHBA6 | 400 Bar | 50 | 114 | 57 | 316 | 98 | 13,5 | 132 | 123 | 300 | 141 | 2,79 | 79,4 | 118 | 85 | 63,25 | 3,94 | 17 | 50 | 11,774 |

2-Way Carbon Steel

Standard

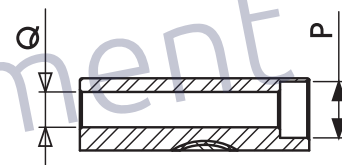
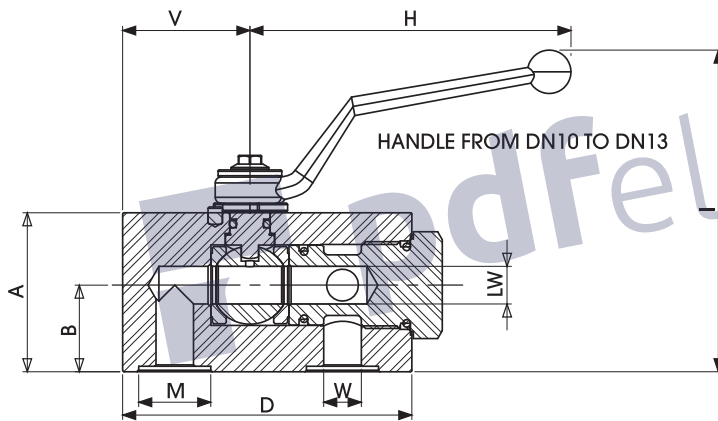


Specifications

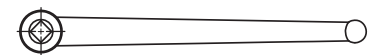
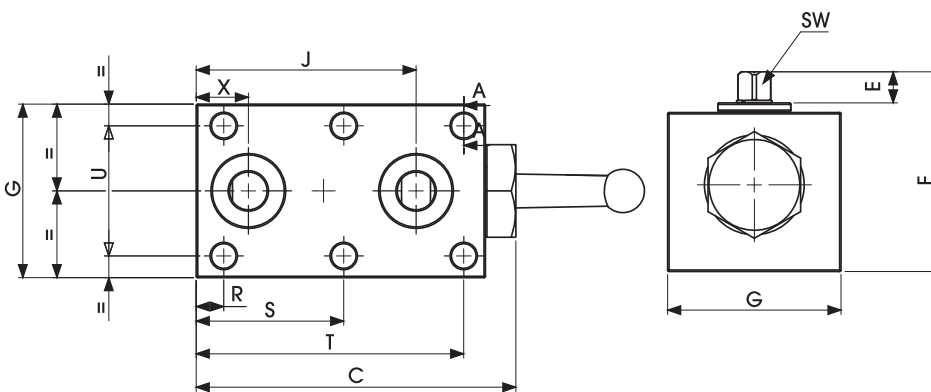
- Type: ball valve KHP2 2way
- Body: Square
- Ball seats: from DN6 up to DN50
- O-Rings: NBR, FKM, EPDM, MVQ
- Operating pressure: 500 Bar depending on valve size and seal materials selected
- Temp. range: -10°C to +100°C depending on seal material selected



PN up to 500 bar
DN up to 50



SECTION A-A
SCALE 1:1.5



HANDLE FROM DN32 TO DN50



HANDLE FROM DN20 TO DN25
(without washer pos14 and screw pos15 in esplosed drawing)

KHP2

Standard

| TYPE | PN | DN | A | B | C | D | E | F | G | H | I | M | W | X | J | P | Q | R | S | T | U | V | SW | LW | WEIGHT Kg |
|------|---------|----|-----|----|-----|-----|----|-----|-----|-----|-----|------|-----|-----|------|------|------|------|------|-------|-----|-----|----|----|-----------|
| KHP2 | 500 Bar | 6 | 35 | 22 | 64 | 58 | 7 | 42 | 40 | 110 | 61 | 11,8 | 6 | 9,5 | 44,5 | 10,5 | 6,5 | 9 | 30 | 44 | 27 | 26 | 6 | 6 | 0,593 |
| KHP2 | 500 Bar | 10 | 45 | 22 | 79 | 70 | 11 | 59 | 55 | 110 | 101 | 14,9 | 9,8 | 10 | 54 | 13,5 | 8,5 | 7,5 | 41 | 62,5 | 40 | 28 | 9 | 10 | 1,304 |
| KHP2 | 400 Bar | 13 | 55 | 30 | 110 | 100 | 11 | 69 | 60 | 110 | 111 | 24,9 | 13 | 18 | 76 | 13,5 | 8,5 | 9,5 | 51 | 92,5 | 45 | 44 | 9 | 13 | 2,387 |
| KHP2 | 350 Bar | 20 | 70 | 38 | 129 | 118 | 14 | 88 | 70 | 180 | 121 | 29 | 20 | 21 | 90 | 16,5 | 10,5 | 11,5 | 60 | 108,5 | 51 | 52 | 14 | 20 | 4,079 |
| KHP2 | 350 Bar | 25 | 79 | 44 | 146 | 135 | 14 | 98 | 80 | 180 | 131 | 34,9 | 25 | 24 | 105 | 16,5 | 10,5 | 9 | 66,5 | 124 | 60 | 61 | 14 | 25 | 5,883 |
| KHP2 | 350 Bar | 32 | 105 | 58 | 183 | 165 | 14 | 124 | 100 | 300 | 124 | 39,7 | 32 | 28 | 124 | 19 | 13 | 11 | 79 | 147 | 78 | 74 | 17 | 32 | 12,169 |
| KHP2 | 350 Bar | 40 | 115 | 61 | 201 | 185 | 14 | 133 | 130 | 300 | 134 | 47,7 | 37 | 29 | 141 | 25 | 16,5 | 29 | 85 | 141 | 95 | 85 | 17 | 40 | 18,624 |
| KHP2 | 350 Bar | 50 | 129 | 72 | 256 | 240 | 14 | 147 | 150 | 300 | 147 | 59,8 | 48 | 38 | 174 | 31 | 21 | 38 | 106 | 174 | 112 | 106 | 17 | 48 | 30,644 |

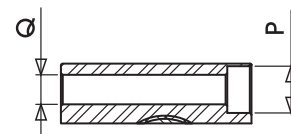
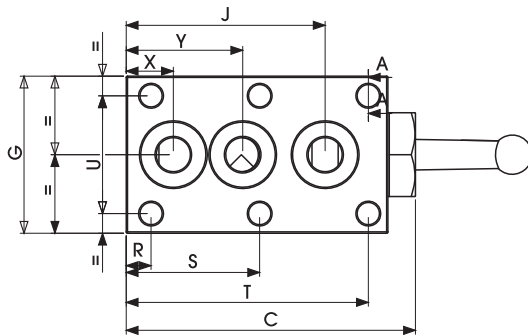
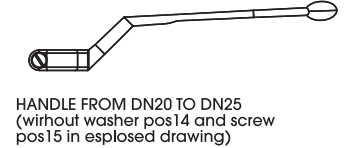
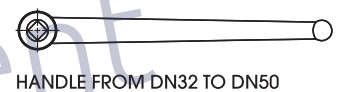
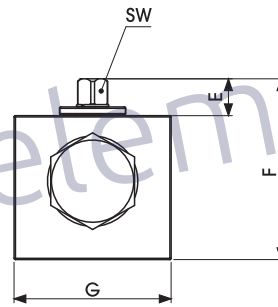
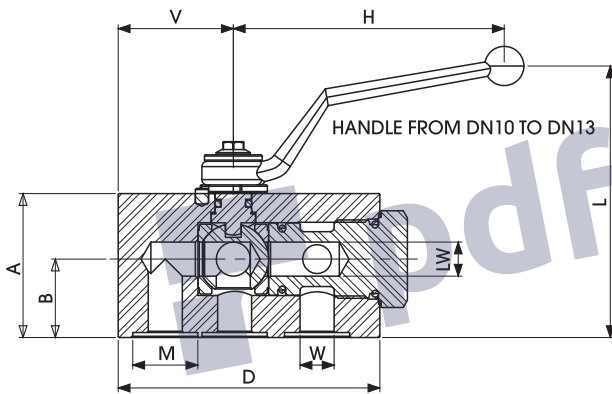
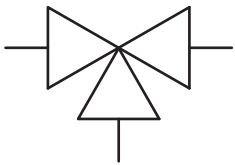
3-Way Carbon Steel

Standard



Specifications

- Type: ball valve KHP3 3way
- Body: Square
- Material: 1,0737
- Ball seats: from DN6 up to DN25
- O-Rings: NBR, FKM, EPDM, MVQ
- Operating pressure: 500 Bar depending on valve size and seal materials selected
- Temp. range: -10°C to +100°C depending on seal material selected



SECTION A-A
SCALE 1:1.5

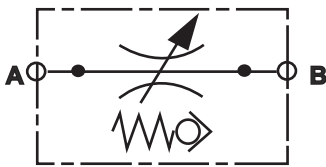
KHP3

Standard

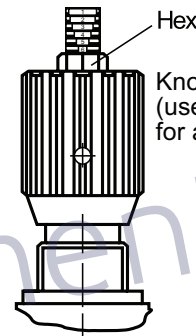
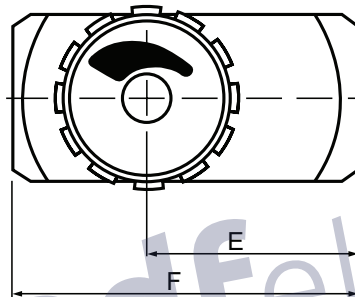
| TYPE | PN | DN | A | B | C | D | E | F | G | H | L | M | W | X | J | Y | P | Q | R | S | T | U | V | SW | LW | WEIGHT Kg |
|------|---------|----|-----|----|-----|-----|-----|-----|-----|-----|-----|------|-----|-----|------|------|------|------|------|------|-------|-----|-------|----|----|--------------|
| KHP3 | 500 Bar | 6 | 35 | 22 | 65 | 58 | 7,5 | 42 | 40 | 110 | 61 | 11,8 | 6 | 9,5 | 44,5 | 27 | 10,5 | 6,5 | 9 | 30 | 44 | 27 | 26,5 | 6 | 6 | 0,593 |
| KHP3 | 500 Bar | 10 | 45 | 22 | 80 | 70 | 11 | 59 | 55 | 110 | 101 | 14,9 | 9,8 | 10 | 54 | 29 | 13,5 | 8,5 | 7,5 | 41 | 62,5 | 40 | 28,75 | 9 | 10 | 1,304 |
| KHP3 | 400 Bar | 13 | 55 | 30 | 111 | 100 | 11 | 69 | 60 | 110 | 111 | 24,9 | 13 | 18 | 76 | 44,5 | 13,5 | 8,5 | 9,5 | 51 | 92,5 | 45 | 44 | 9 | 13 | 2,387 |
| KHP3 | 350 Bar | 20 | 70 | 38 | 129 | 118 | 14 | 88 | 70 | 180 | 121 | 29 | 20 | 21 | 90 | 52 | 16,5 | 10,5 | 11,5 | 60 | 108,5 | 51 | 52 | 14 | 20 | 4,079 |
| KHP3 | 350 Bar | 25 | 80 | 44 | 146 | 135 | 14 | 98 | 80 | 180 | 131 | 34,9 | 25 | 24 | 105 | 62 | 16,5 | 10,5 | 9 | 66,5 | 124 | 60 | 61,25 | 14 | 25 | 5,883 |
| KHP3 | 350 Bar | 32 | 106 | 58 | 184 | 165 | 14 | 124 | 100 | 300 | 124 | 39,7 | 32 | 28 | 124 | 74 | 19 | 13 | 11 | 79 | 147 | 78 | 74 | 17 | 32 | 12,169 |
| KHP3 | 350 Bar | 40 | 115 | 61 | 202 | 185 | 14 | 133 | 130 | 300 | 134 | 47,7 | 37 | 29 | 141 | 85 | 25 | 16,5 | 29 | 85 | 141 | 95 | 85 | 17 | 40 | 18,624 |
| KHP3 | 350 Bar | 50 | 129 | 72 | 257 | 240 | 14 | 147 | 150 | 300 | 147 | 59,8 | 48 | 38 | 174 | 106 | 31 | 21 | 38 | 106 | 174 | 112 | 106 | 17 | 48 | 30,644 |

Carbon Steel

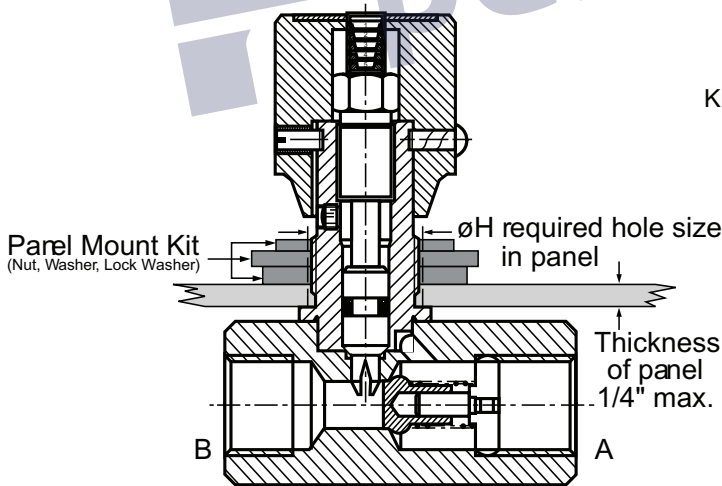
DRV Series



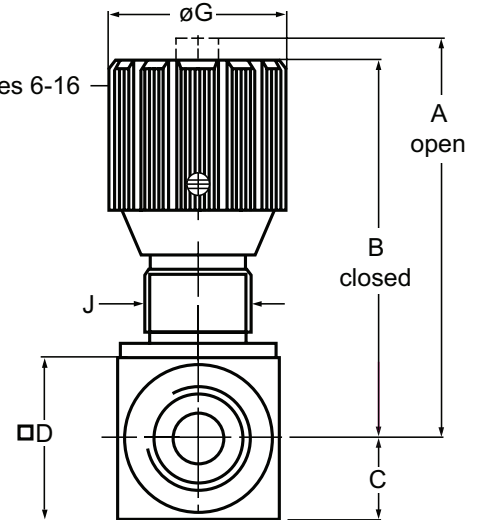
up to 350 bar
up to 300 l/min



Knob for sizes 20-30
(use hexagon for adjustment)



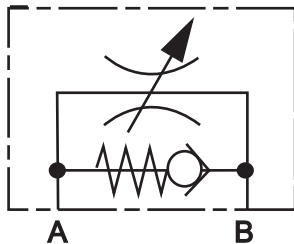
Knob for sizes 6-16



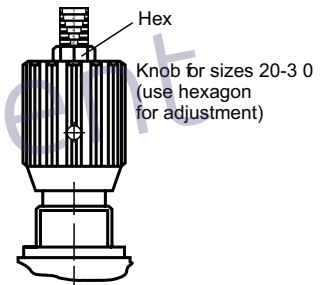
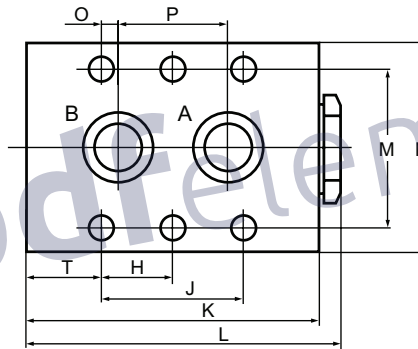
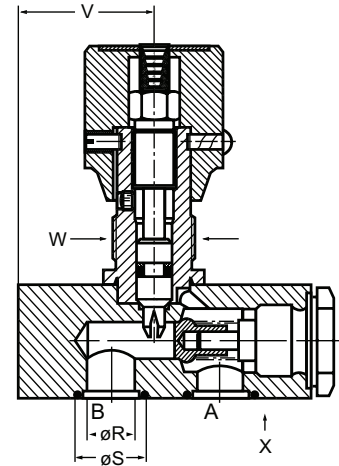
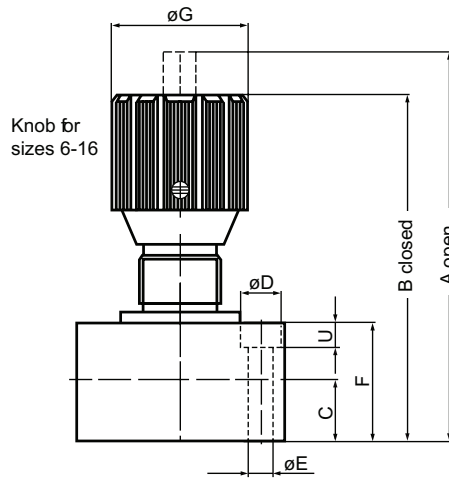
| Model Code | PortSize NPTF | A | B | C | D | E | F | øG | øH | Hex | Weight |
|------------|---------------|-----|-----|----|----|------|-----|----|----|-----|--------|
| DRV-06 | 1/8" | 55 | 50 | 8 | 16 | 26 | 45 | 24 | 13 | 12 | 0.13 |
| DRV-08 | 1/4" | 72 | 65 | 12 | 25 | 33.5 | 55 | 29 | 19 | 12 | 0.30 |
| DRV-10 | 3/8" | 74 | 67 | 15 | 30 | 41 | 65 | 29 | 19 | 12 | 0.45 |
| DRV-12 | 1/2" | 92 | 82 | 17 | 35 | 44 | 73 | 38 | 23 | 12 | 0.80 |
| DRV-16 | 3/4" | 106 | 96 | 22 | 45 | 57 | 88 | 38 | 23 | 12 | 1.30 |
| DRV-20 | 1" | 145 | 128 | 25 | 50 | 77 | 127 | 49 | 38 | 19 | 2.40 |
| DRV-25 | 1-1/4" | 150 | 133 | 30 | 60 | 93 | 143 | 49 | 38 | 19 | 3.50 |
| DRV-30 | 1-1/2" | 155 | 138 | 35 | 70 | 108 | 143 | 49 | 38 | 19 | 4.60 |

Carbon Steel

DRVP Series



Up to 350 bar
Up to 300 l/min

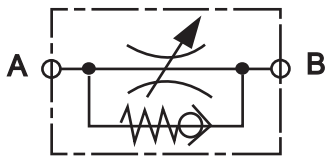


| Model Code | Nominal Size | A | B | C | ϕD | ϕE | F | ϕG | H ⁽¹⁾ | J | K | L |
|------------|--------------|-----|-----|------|----------|----------|----|----------|------------------|-------|------|-------|
| DRVP-06 | 1/8" | 63 | 58 | 8 | 11 | 6.6 | 16 | 24 | 17 | 19 | 41.5 | 46 |
| DRVP-08 | 1/4" | 79 | 72 | 10 | 11 | 6.6 | 20 | 29 | 20 | 35 | 63.5 | 67 |
| DRVP-10 | 3/8" | 84 | 77 | 12.5 | 11 | 6.6 | 25 | 29 | 27 | 33.5 | 70 | 74 |
| DRVP-12 | 1/2" | 106 | 96 | 16 | 11 | 6.6 | 32 | 38 | 31 | 38 | 80 | 84.5 |
| DRVP-16 | 3/4" | 128 | 118 | 22.5 | 14 | 9 | 45 | 38 | 38 | 76 | 104 | 109.5 |
| DRVP-20 | 1" | 170 | 153 | 25 | 14 | 9 | 50 | 49 | 47.5 | 95 | 127 | 133 |
| DRVP-25 | 1 1/4" | 175 | 158 | 27.5 | 18 | 11.5 | 55 | 49 | 60 | 120.5 | 165 | 172 |
| DRVP-30 | 1 1/2" | 195 | 178 | 37.5 | 20 | 14 | 75 | 49 | 71.5 | 143 | 186 | 196 |

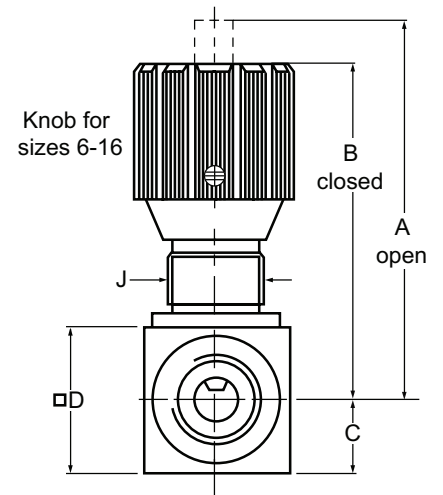
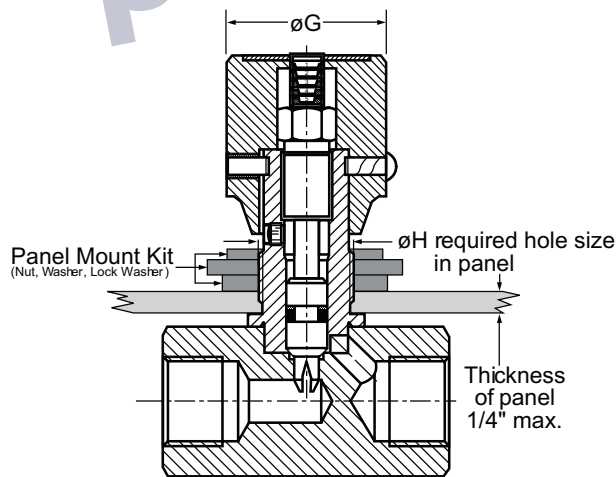
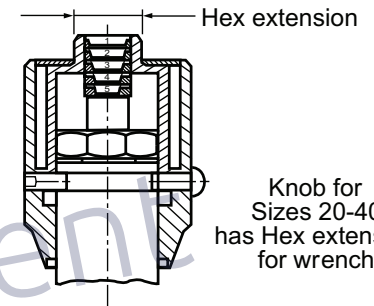
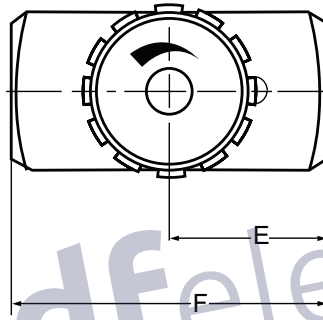
| Model Code | Nominal Size | M | N | O | P | ϕR | ϕS | T | U | V | Hex | Weight |
|------------|--------------|------|------|------|------|----------|----------|------|----|------|-----|--------|
| DRVP-06 | 1/8" | 28.5 | 41.5 | 1.6 | 16 | 5 | 9.7 | 6.4 | 7 | 135. | 12 | 0.26 |
| DRVP-08 | 1/4" | 33.5 | 46 | 4.8 | 25.5 | 7 | 12.7 | 14.2 | 7 | 3315 | 12 | 0.50 |
| DRVP-10 | 3/8" | 38 | 51 | 4 | 25.5 | 10 | 15.6 | 18 | 7 | 29.5 | 12 | 0.80 |
| DRVP-12 | 1/2" | 44.5 | 57.5 | 4 | 30 | 13 | 18.6 | 21 | 7 | 36.5 | 12 | 1.10 |
| DRVP-16 | 3/4" | 54 | 70 | 11 | 54 | 17 | 24.5 | 14 | 9 | 49 | 12 | 2.50 |
| DRVP-20 | 1" | 60 | 76.5 | 19 | 57 | 22 | 30.5 | 16 | 9 | 49 | 19 | 3.90 |
| DRVP-25 | 1 1/4" | 76 | 100 | 20.6 | 79.5 | 28.5 | 37.4 | 15 | 11 | 77 | 19 | 6.70 |
| DRVP-30 | 1 1/2" | 92 | 115 | 23.8 | 95 | 35 | 43.4 | 15 | 13 | 85 | 19 | 11.0 |

Carbon Steel

Inline Needle Valve DV Series

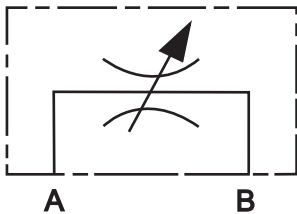


Up to 350 bar
Up to 300 l/min



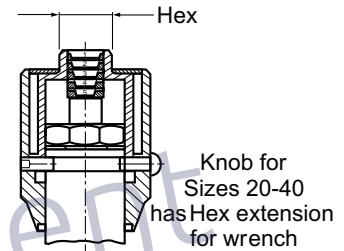
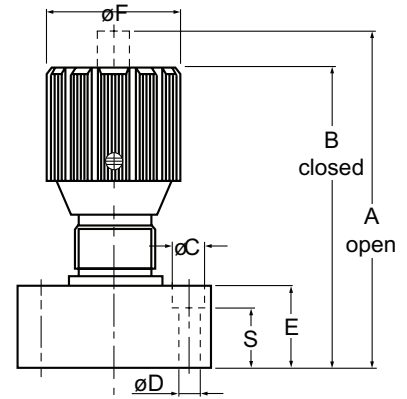
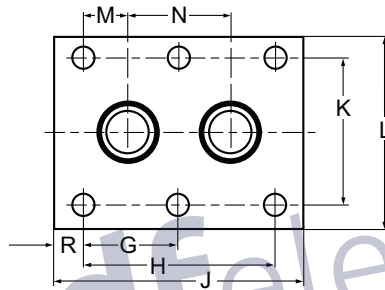
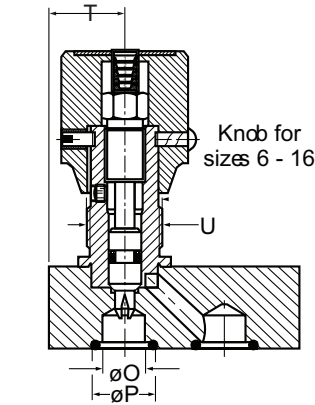
| Model Code | Port Size | A | B | C | D | E | F | ϕG | ϕH | Hex | Weight |
|------------|-----------|-----|-----|----|----|----|-----|----------|----------|-----|--------|
| DV-06 | 1/8" | 55 | 50 | 8 | 16 | 19 | 38 | 24 | 13 | 12 | 0.12 |
| DV-08 | 1/4" | 72 | 65 | 12 | 25 | 24 | 48 | 29 | 19 | 12 | 0.25 |
| DV-10 | 3/8" | 74 | 67 | 15 | 30 | 29 | 58 | 29 | 19 | 12 | 0.40 |
| DV-12 | 1/2" | 92 | 82 | 17 | 35 | 34 | 68 | 38 | 23 | 12 | 0.70 |
| DV-16 | 3/4" | 105 | 96 | 22 | 45 | 39 | 78 | 38 | 23 | 12 | 1.2 |
| DV-20 | 1" | 145 | 128 | 25 | 50 | 54 | 108 | 49 | 38 | 19 | 2.1 |
| DV-25 | 1-1/4" | 150 | 133 | 30 | 60 | 54 | 108 | 49 | 38 | 19 | 2.8 |
| DV-30 | 1-1/2" | 155 | 138 | 35 | 70 | 54 | 108 | 49 | 38 | 19 | 3.5 |

Carbon Steel DVP



Up to 350 bar
Up to 300 l/min

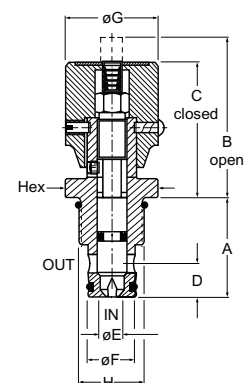
Manifold Mounted Needle Valve DVP Series



| Model Code | Nom. Size | A | B | øC | øD | E | øF | G | H | J | K | L | M | N | øO | øP | R | S | T | Hex | Wt. |
|------------|-----------|-----|-----|----|------|----|----|------|-------|------|------|------|------|------|------|------|------|----|------|-----|-----|
| DVP-06 | 1/8" | 63 | 58 | 11 | 6.6 | 16 | 24 | 17 | 19 | 35 | 28.5 | 41.5 | 1.5 | 16 | 5 | 9.7 | 8 | 9 | 9.5 | 12 | 0.2 |
| DVP-08 | 1/4" | 79 | 72 | 11 | 6.6 | 20 | 29 | 20 | 35 | 47.5 | 33.5 | 46 | 4.5 | 25.5 | 7 | 12.7 | 6.5 | 13 | 12 | 12 | 0.4 |
| DVP-10 | 3/8" | 84 | 77 | 11 | 6.6 | 25 | 29 | 27 | 33.5 | 51 | 38 | 51 | 4.2 | 25.5 | 10 | 15.6 | 8.5 | 18 | 14 | 12 | 0.6 |
| DVP-12 | 1/2" | 99 | 89 | 11 | 6.6 | 25 | 38 | 37 | 38 | 75 | 44.5 | 57.5 | 4.0 | 30 | 13 | 18.6 | 18.5 | 18 | 22.5 | 12 | 1.0 |
| DVP-16 | 3/4" | 113 | 103 | 14 | 9.0 | 30 | 38 | 38 | 76 | 93.5 | 54 | 70 | 11 | 54 | 17 | 24.5 | 8.5 | 21 | 19.5 | 12 | 1.7 |
| DVP-20 | 1" | 165 | 148 | 14 | 9.0 | 45 | 49 | 47.5 | 95 | 111 | 60 | 76.5 | 19.1 | 57 | 22 | 30.5 | 8 | 36 | 31.5 | 19 | 3.6 |
| DVP-25 | 1 1/4" | 165 | 148 | 18 | 11.5 | 45 | 49 | 60 | 120.5 | 143 | 76 | 100 | 20.8 | 79.5 | 28.5 | 37.4 | 11 | 34 | 46 | 19 | 5.5 |
| DVP-30 | 1 1/2" | 170 | 153 | 20 | 14 | 50 | 49 | 71.5 | 143 | 171 | 92 | 115 | 23.8 | 95 | 35 | 43.4 | 15 | 37 | 39 | 19 | 7.5 |

DVE Cartridge Valve

| Size Code | A | B | C | D | E | øF | øG | H | Hex | Wt. |
|-----------|------|----|----|------|-----|------|----|--------------|-----|------|
| DVP-08 | 26 | 47 | 40 | 12 | 4.5 | 14.2 | 29 | 3/4-16UNF | 27 | 0.15 |
| DVP-10 | 30 | 64 | 54 | 12.5 | 8 | 15.8 | 38 | 7/8-14UNF | 27 | 0.25 |
| DVP-12 | 40 | 65 | 55 | 13.5 | 9.5 | 20.5 | 38 | 1-1/16-12UNF | 32 | 0.50 |
| DVP-16 | 43.5 | 65 | 55 | 17.5 | 11 | 26.9 | 38 | 1-5/16-12UNF | 41 | 0.70 |



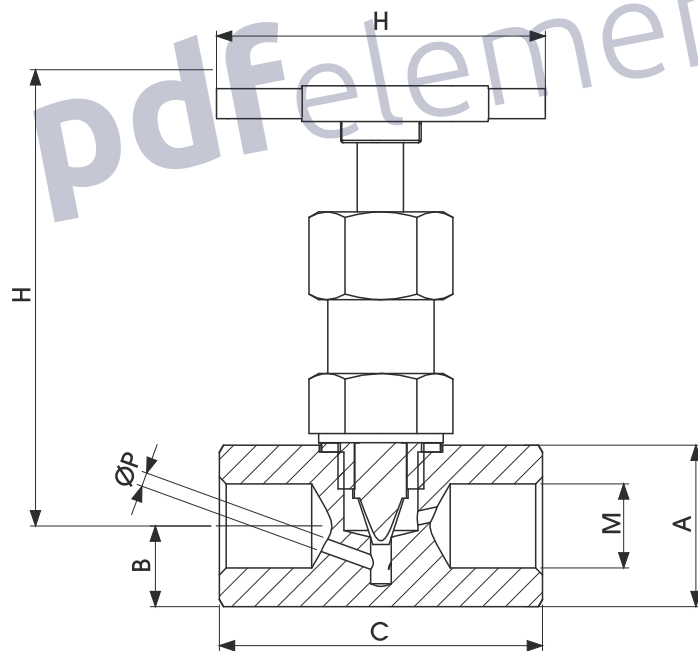
2 Way Carbon Steel

Standard



Specifications

- Type: needle valve NV
- Body: square
- Material: 1,0570/1,4301
- Ball seats: from DN6 up to DN40
- Operating pressure: S3000 (210 Bar)
S6000 (350 Bar) depending on valve size
and seal materials selected
- Temp. range: -20°C to +100°C depending
on seal material selected



**NV DIN ISO 228
6000**
Standard

| TYPE | PN | DN | A | B | C | H | I | M | OP | Kg. |
|-------------|---------|----|----|------|----|----|-----|----------|----|------|
| NV G 1/4 | 500 Bar | 6 | 28 | 17,5 | 55 | 65 | 100 | G 1/4 | 8 | 0.55 |
| NV G 3/8 | 500 Bar | 10 | 30 | 17,5 | 60 | 65 | 100 | G 3/8 | 8 | 0.55 |
| NV G 1/2 | 500 Bar | 13 | 32 | 20 | 65 | 65 | 115 | G 1/2 | 9 | 0.99 |
| NV G 3/4 | 500 Bar | 20 | 38 | 25 | 75 | 65 | 145 | G 3/4 | 11 | 1.30 |
| NV G 1" | 500 Bar | 25 | 45 | 30 | 85 | 75 | 150 | G 1" | 15 | 1.80 |
| NV G 1" 1/4 | 500 Bar | 32 | 50 | 35 | 90 | 75 | 160 | G 1" 1/4 | 19 | 2.20 |
| NV G 1" 1/2 | 500 Bar | 40 | 55 | 40 | 90 | 75 | 170 | G 1" 1/2 | 22 | 2.20 |

2 Way Carbon Steel

Shut off Valve

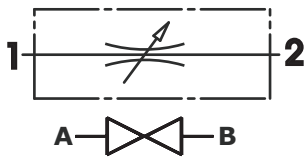
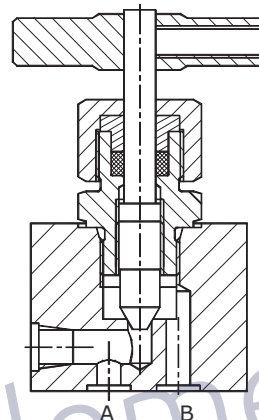


Description

Shut off valves model MSSL06-2.0 are rising spindle, seat type valves with metal to metal seat for leak-free closure between its port 'A' and port 'B'.

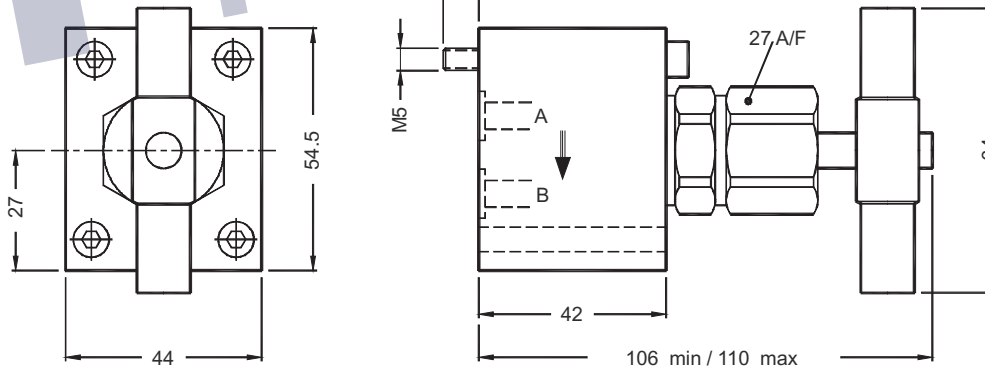
The mounting interface conforms to ISO 5781 - AB - 03 - 4 - B.

Section



Unit Dimensions

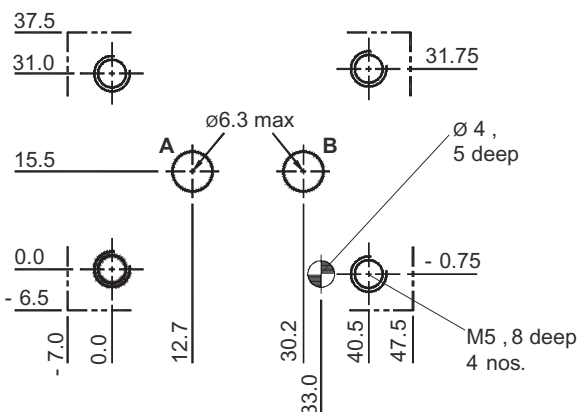
Valve



Note : Valve fixing screws : M5 X 50 L, (10.9) 4 nos.

Tightening torque : 9 Nm

Interface - s a per ISO 5781 - AB - 03 - 4 - B standard



Mounting Surface roughness : 0.8 μ m

Mounting Surface flatness : 0.01 μ m/100 mm

Inline High Pressure Check Valves - CV

Remove Watermark Now

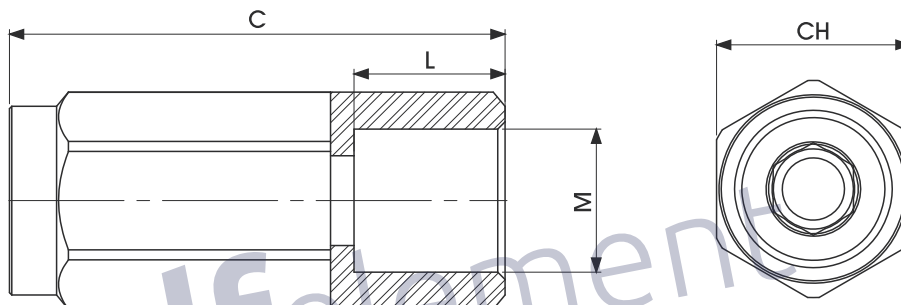
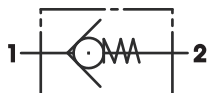
2 Way
Carbon Steel

Standard

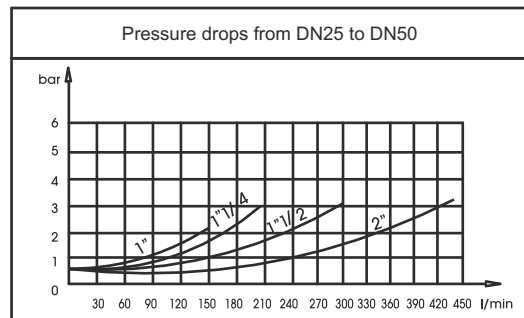
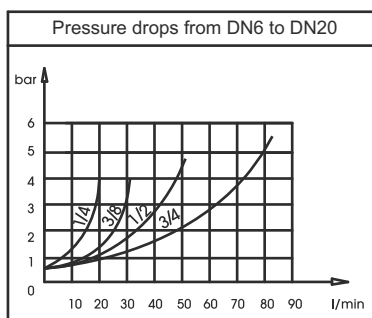
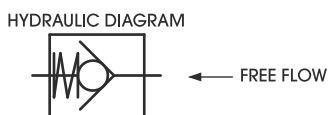


Specifications

- Type: check valve CV
- Body: exagone
- Material: 1,0737/1,4749
- Ball seats: from 1/4 to 2"
- Operating pressure: PN500
- Temp. range: -10°C to +100°C depending on seal material selected



PRESSURE DROPS



CV DIN ISO 228 BSP Standard

| TYPE | PN | DN | MAX FLOW L/m | CRACKING PRESSURE | C | L | M | CH | Kg. |
|-------------|---------|----|--------------|-------------------|-----|----|----------|----|------|
| CV G 1/4 | 400 Bar | 6 | 15 | 0.5/1 BAR | 54 | 15 | G 1/4 | 19 | 0,1 |
| CV G 3/8 | 400 Bar | 10 | 30 | 0.5/1 BAR | 64 | 15 | G 3/8 | 24 | 0,18 |
| CV G 1/2 | 400 Bar | 13 | 50 | 0.5/1 BAR | 74 | 17 | G 1/2 | 27 | 0,23 |
| CV G 3/4 | 400 Bar | 20 | 90 | 0.5/1 BAR | 85 | 21 | G 3/4 | 35 | 0,45 |
| CV G 1" | 400 Bar | 25 | 150 | 0.5/1 BAR | 109 | 24 | G 1" | 41 | 0,73 |
| CV G 1" 1/4 | 350 Bar | 32 | 200 | 0.5/1 BAR | 122 | 24 | G 1" 1/4 | 55 | 1,49 |
| CV G 1" 1/2 | 350 Bar | 40 | 300 | 0.5/1 BAR | 137 | 24 | G 1" 1/2 | 60 | 2 |
| CV G 2" | 350 Bar | 50 | 430 | 0.5/1 BAR | 159 | 27 | G 2" | 70 | 2,7 |

2 Way Carbon Steel

Standard

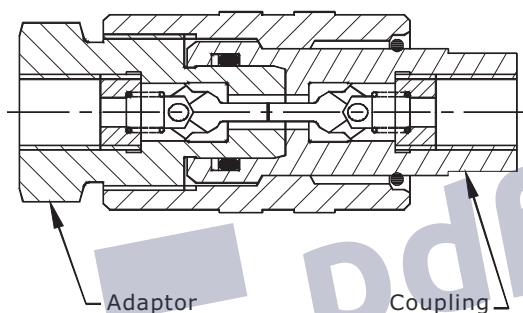


Description

Quick disconnect couplings are designed for applications where fast connection and disconnection of hydraulic lines is a need of the system. These couplings when connected offer unrestricted flow passage. They are designed for reliable and safe operations by avoiding premature flow before the coupling is fully closed.

Section

(Self sealing Coupling, Self sealing Adaptor, Illustrated)



Hydraulic Symbol Coupling Type

| | |
|--|---|
| | Through type Adaptor AT Through type Coupling CT |
| | Self sealing Adaptor AS Through type Coupling CT |
| | Through type Adaptor AT Self sealing Coupling CS |
| | Self sealing Adaptor AS Self sealing Coupling CS |

Unit Dimensions

End connections (Female)

BSP - **G**
Metric - **M**

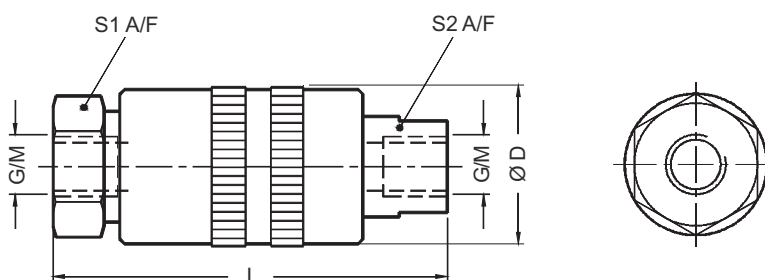
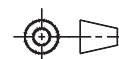


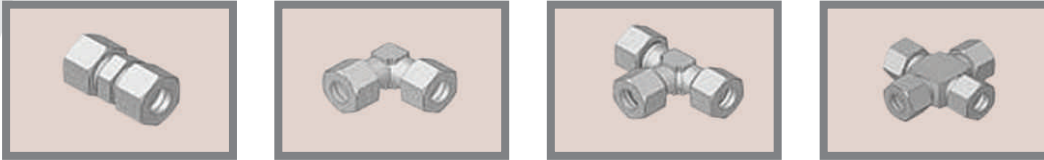
Table 1

| Pressure (bar) | G | M | S1 | S2 | ØD | L |
|----------------|-------|---------|----|----|----|-----|
| 800 | G 1/4 | M14x1.5 | 27 | 19 | 35 | 86 |
| 800 | G 3/8 | M18x1.5 | 32 | 22 | 37 | 88 |
| 600 | G 1/2 | M22x1.5 | 41 | 30 | 46 | 116 |
| 500 | G 3/4 | M26x1.5 | 50 | 36 | 56 | 130 |
| 400 | G1 | M33x2.0 | 55 | 41 | 62 | 150 |

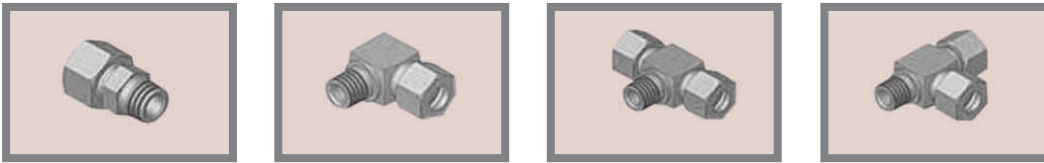
Tube Coupling Parts



Tube to Tube Coupling



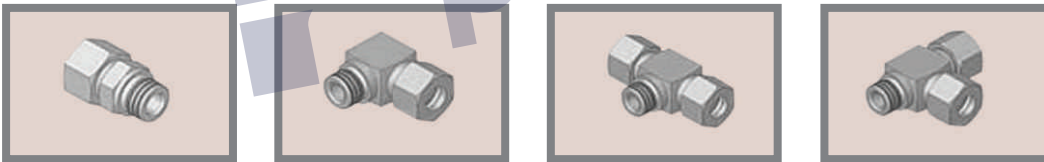
Tube to Male Stud BSPT



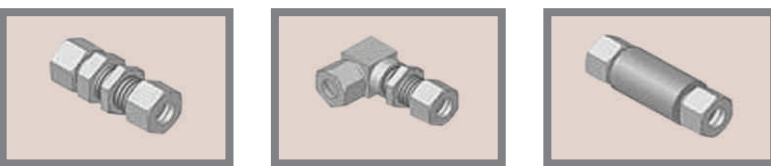
Tube to Male Stud BSP



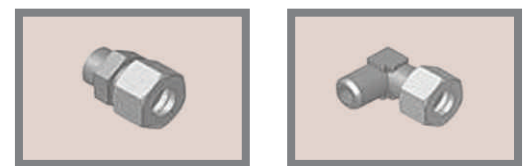
Tube to Male Stud Metric



Bulkhead



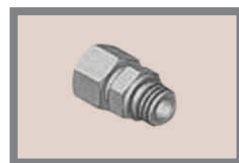
Weld Coupling



Tube to Male Stud Elastomeric BSP



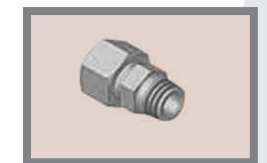
Tube to Male Stud Elastomeric Metric



Tube to Male Stud Oring Metric



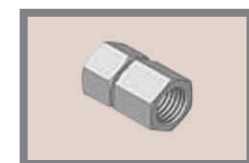
Tube to Male Stud NPTF



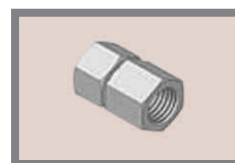
Tube to Male Stud Oring SAE/UNF



Female Connector BSP



Female Connector Metric



Reducer / Expander



Banjo Coupling



Banjo Coupling



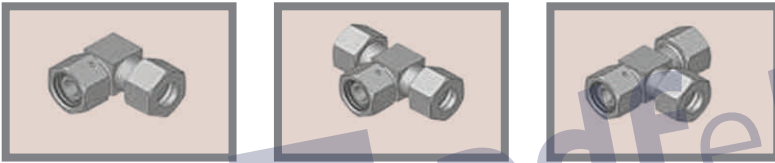
Swivel Connector



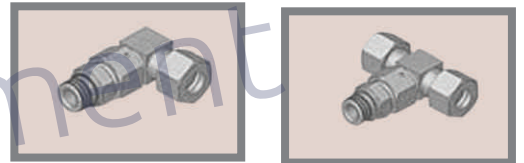
Swivel Coupling Soft Seal



Swivel Coupling Soft Seal



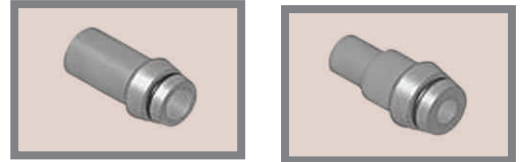
Swivel Connector Soft Seal



Adjustable Fittings SAE/UNF



Weld Nipple



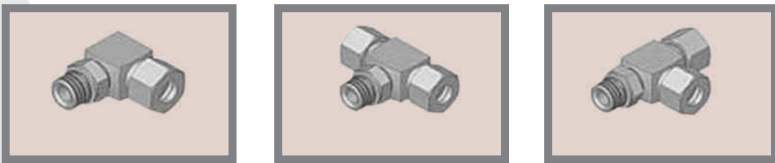
Gauge Adaptors



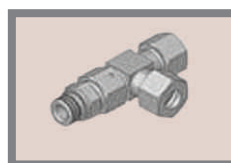
Blanking End



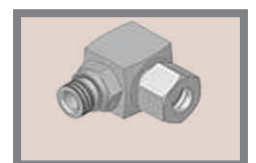
Adjustable Fittings Metric



Swivel Connector Soft Seal



Live Swivel



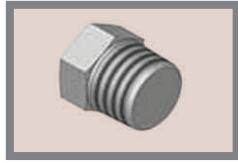
Swivel Coupling



Gauge Adaptors



Plug BSPT



Plug SAE/UNF



Plug BSP



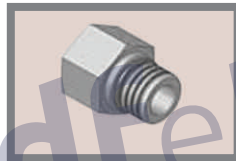
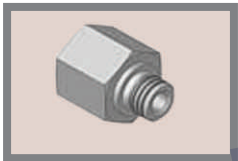
Plug NPTF



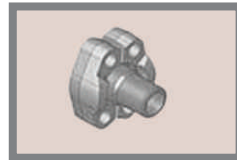
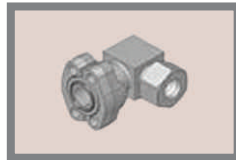
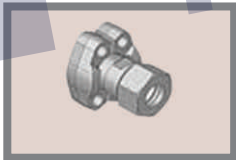
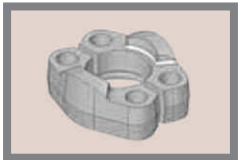
Plug Metric



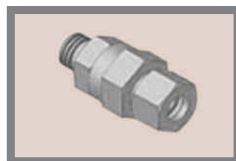
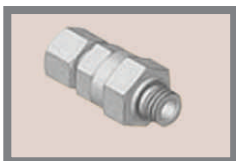
Adaptors



SAE Flanged Connections



Check Valves



Tools



Seals



Manufacturing Capabilities

Our manufacturing system has constantly adapted to the changing market demands. We have best-in-class machines to back our production unit. Our dedicated team of professionals are well versed with various aspects of production. Our skilled personnel work with professionalism to ensure customer satisfaction.

Customer Focus

Asian Hydraulic has always focused on the customer by offering the best quality and cost effective products in the field of high pressure hydraulic range. Feedback from customers has enabled us to remain innovative in the field of high pressure hydraulic range.

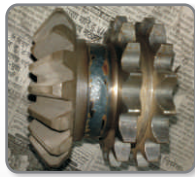
Quality Policy

Asian Hydraulic is committed to manufacturing and supplying high pressure hydraulic range in compliance with International Standards. All our products undergo rigorous inspection processes before they are released for distribution. Our team of experts maintain a vigil on the entire range of products. We review and continually improve the effectiveness of our quality management system by involving all personnel as well as our suppliers. This Quality Policy is periodically reviewed to ensure best quality to our customers.

INFRASTRUCTURE

Asian Hydraulic - located in Andheri has expanded manufacturing unit in Taloja. We have latest CNC machine and manufacturing facilities are at par with global manufacturing standards and are well equipped with state-of-the-art equipment, machinery and testing facilities.





VALUE FOR QUALITY

ASIAN HYDRAULIC

Contact :-Akram Shaikh

Mob. No :-9821583312

Tel.No. :-+91 22 28562545

Email :- asian_hydraulics@rediffmail.com

sales@asianhydraulic.com

Web :-www.asianhydraulic.com